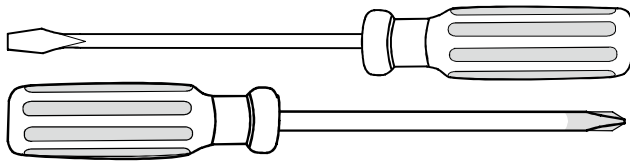
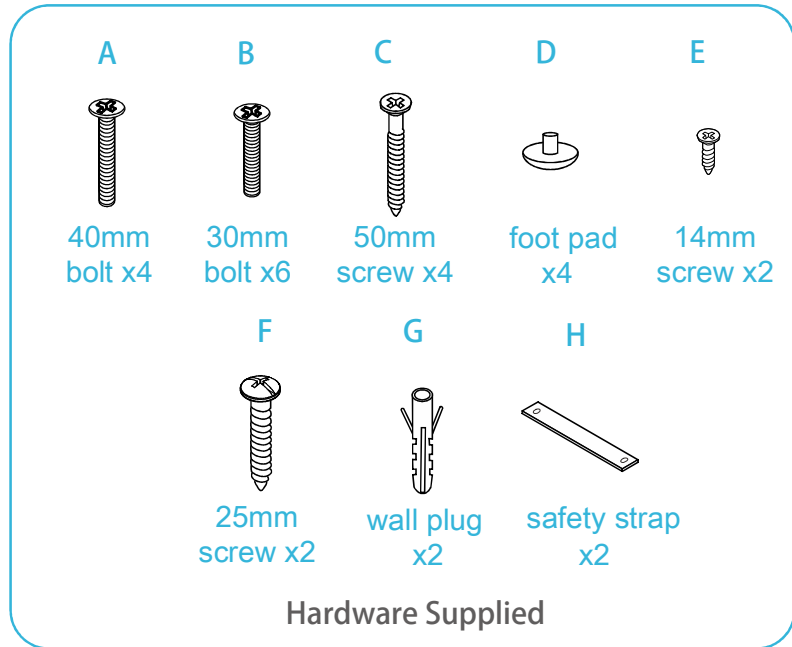


# Brixton Trestle Desk

Thank you for purchasing a Mocka Brixton Trestle Desk. Please follow the manufacturer's assembly instructions in detail to ensure the safety features of the desk is not compromised.



Phillips & Flathead screwdrivers required

**WARNING:** Any furniture that is not anchored to a wall has the potential to tip over in certain circumstances, i.e. if a child attempts to climb up on the furniture or in the event of an earthquake. Accordingly, we recommend that all furniture is anchored to a wall. We supply a free safety wall anchor with all furniture sold and we recommend these are used to prevent your product tipping. The fixing device provided should fit most wall types, but please note that different wall materials may require different fixing devices from those supplied.

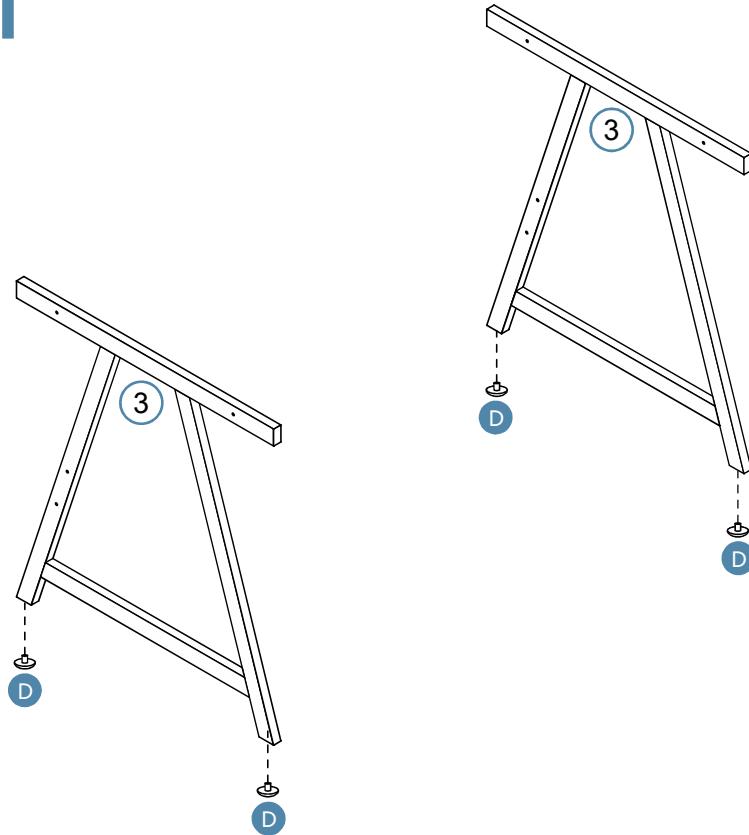


**Mocka.**

# Brixton

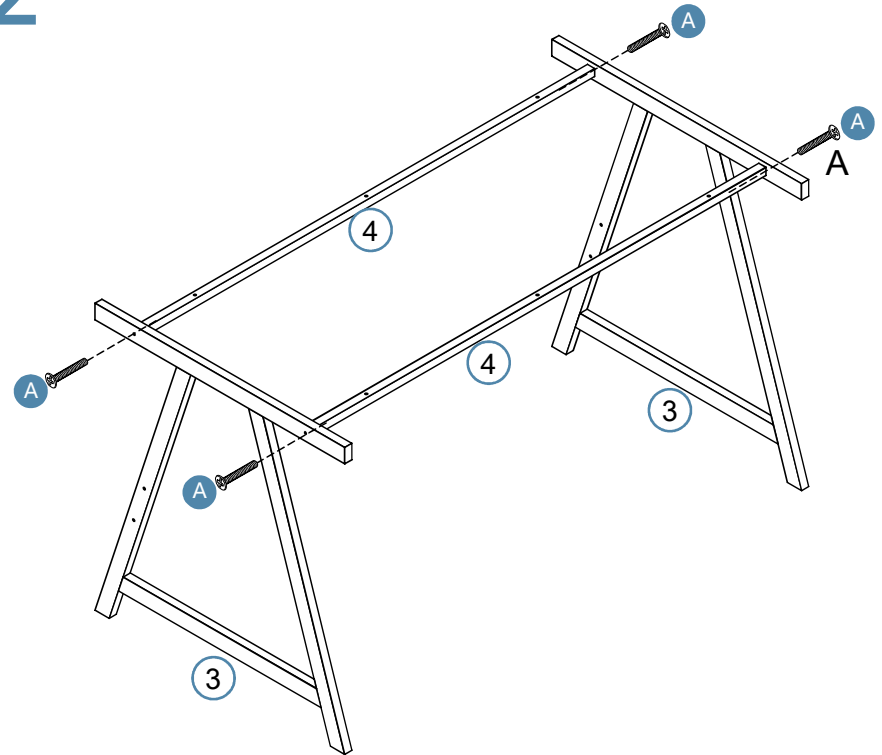
## Trestle Desk

1



Attach 4 x foot pad(D) to 2 x frame[3].

2

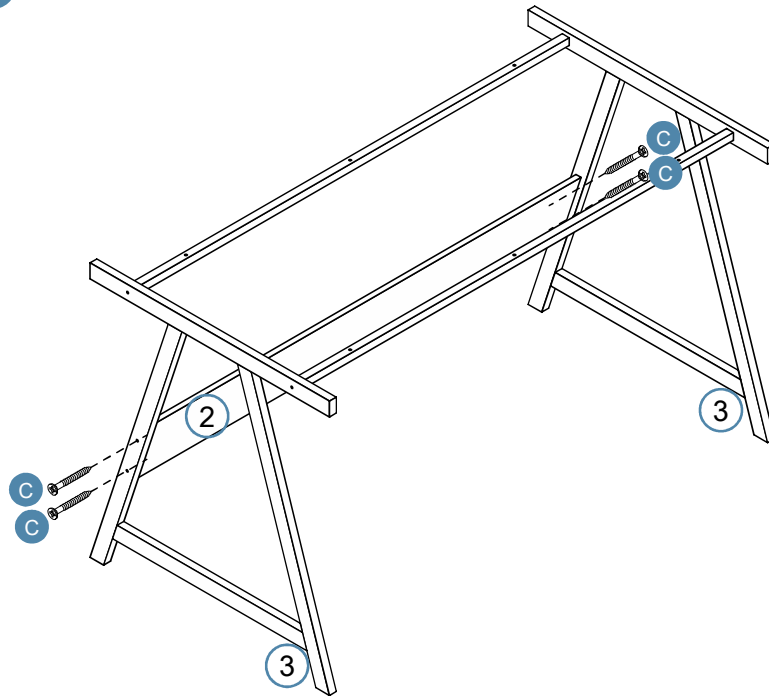


Attach 2 x frame [4] to 2 x frame [3] with 4 x bolt (A). Tighten with a screwdriver.

# Brixton

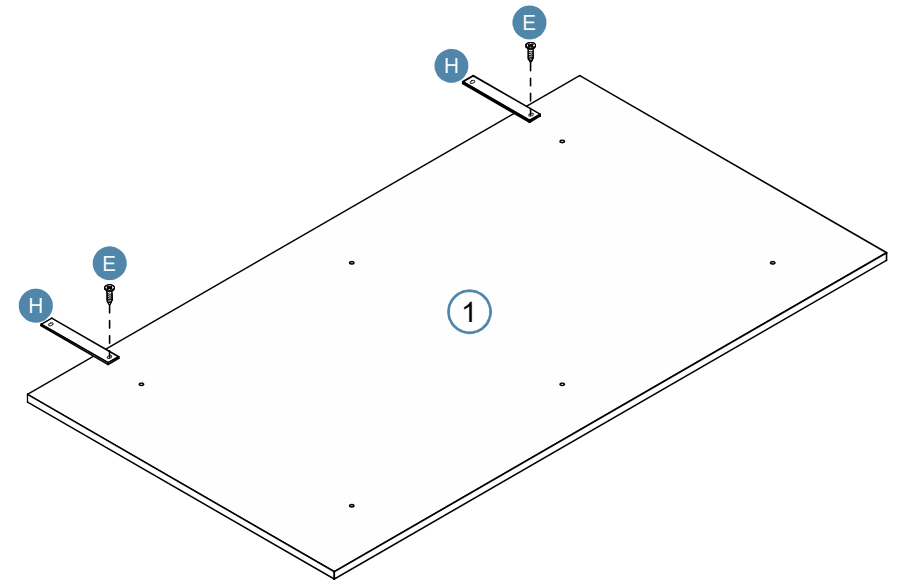
## Trestle Desk

3



Attach panel [2] to frame [3] with 4 x screw (C). Tighten with a screwdriver.

4

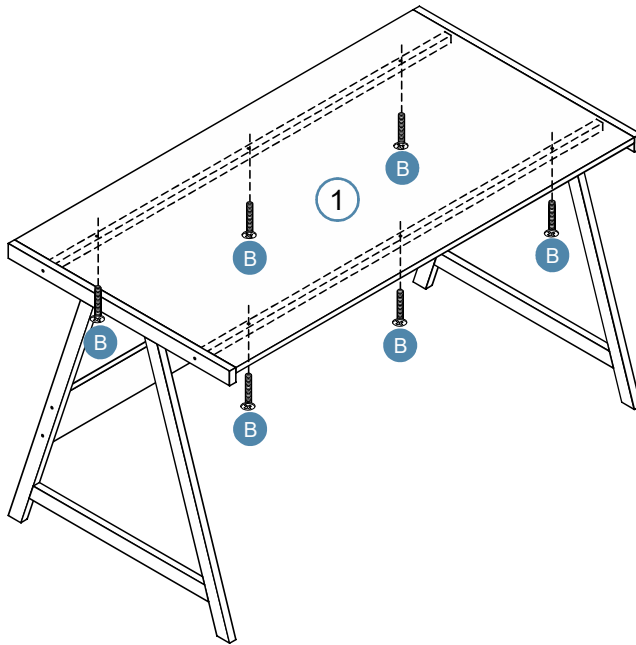


Attach 2 x safety strap (H) to panel [1] with 2 x screw (E).

# Brixton

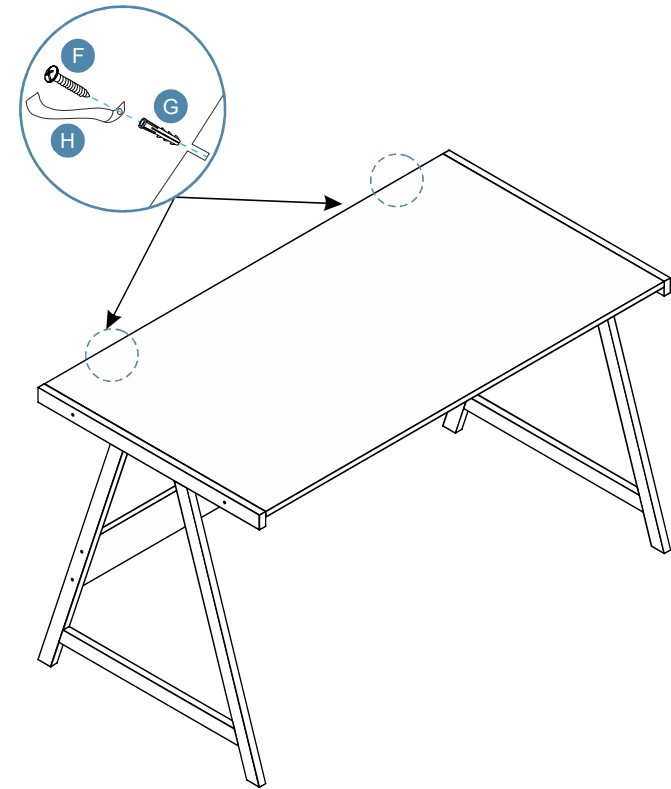
## Trestle Desk

### 5



Attach panel [1] to the metal frame with 6 x bolt (B). Tighten with a screwdriver

### 6

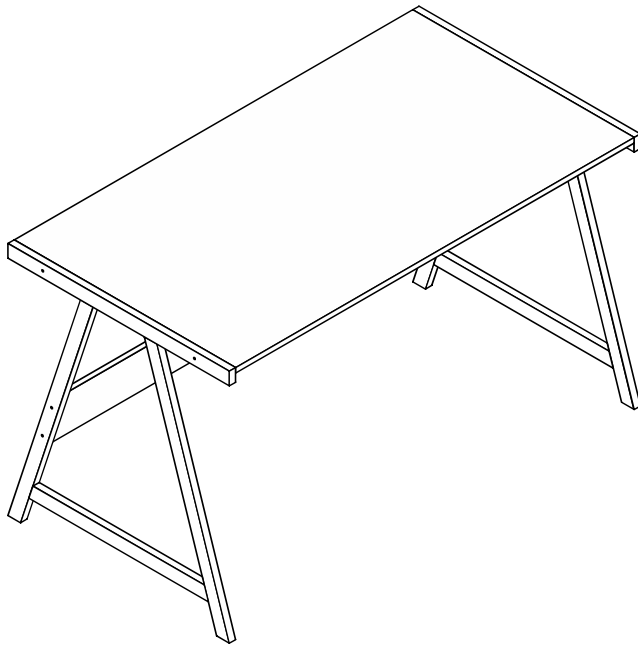


Move the unit to the desired location against a wall. Attach the other end of the 2 x safety straps (H) to the wall using 2 x wall plugs (G) and 2 x screws (F). Tighten with a screwdriver.

# Brixton

Trestle Desk

7



You're done, enjoy!